

## GLOBAL SERVICE

Norbar is the only torque equipment manufacturer capable of offering tool and instrument calibration services to the original factory standard on four continents.

Accredited laboratories in Australia, USA, Singapore, China and India operate the same equipment and procedures as the UKAS accredited laboratory within our headquarters in the UK.



**NORBAR TORQUE TOOLS LTD**  
Wildmere Road, Banbury, Oxfordshire, OX16 3JU  
UNITED KINGDOM  
Tel + 44 (0)1295 753600  
Email sales@norbar.com



**NORBAR TORQUE TOOLS**  
45-47 Raglan Avenue, Edwardstown  
SA 5039  
AUSTRALIA  
Tel + 61 (0)8 8292 9777  
Email enquiry@norbar.com.au



**NORBAR TORQUE TOOLS INC**  
36400 Biltmore Place, Willoughby  
Ohio 44094  
USA  
Tel + 1 866 667 2272  
Email inquiry@norbar.us



**NORBAR TORQUE TOOLS PTE LTD**  
194 Pandan Loop, #07-20 Pantech Business Hub  
SINGAPORE 128383  
Tel + 65 6841 1371  
Email enquires@norbar.sg



**NORBAR TORQUE TOOLS (SHANGHAI) LTD**  
91 Building- 7F, No. 1122 North Qinzhou Road,  
Xuhui District, Shanghai  
CHINA 201103  
Tel + 86 21 6145 0368  
Email sales@norbar.com.cn



**NORBAR TORQUE TOOLS INDIA PVT. LTD**  
Plot No A – 168 Khairne Industrial Area  
Thane Belapur Road  
Mahape Navi Mumbai – 400 709  
INDIA  
Tel + 91 22 2778 8480  
Email enquiry@norbar.in

## NORBAR PRODUCT PORTFOLIO



Torque Screwdrivers



Torque Wrenches



Electronic Torque Wrenches



Manual Torque Multipliers



Pneumatic Torque Tools



Electronic Torque Tools



Torque Measurement Instruments



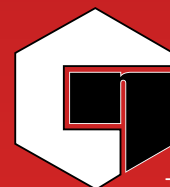
Torque Transducers



Ultrasonic Bolt Measurement



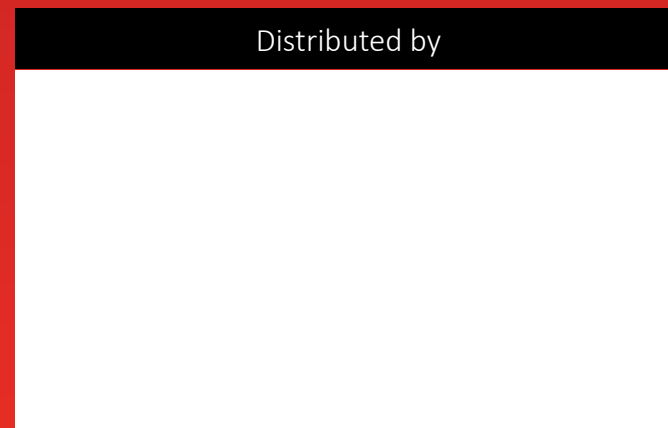
Calibration Services



### Let's Talk

The live chat feature can be found at the bottom right of any page on our website

Distributed by



## GLOBAL SERVICE

Norbar is the only torque equipment manufacturer capable of offering tool and instrument calibration services to the original factory standard on four continents.

Accredited laboratories in Australia, USA, Singapore, China and India operate the same equipment and procedures as the UKAS accredited laboratory within our headquarters in the UK.



**NORBAR TORQUE TOOLS LTD**  
Wildmere Road, Banbury, Oxfordshire, OX16 3JU  
UNITED KINGDOM  
Tel + 44 (0)1295 753600  
Email sales@norbar.com



**NORBAR TORQUE TOOLS**  
45-47 Raglan Avenue, Edwardstown  
SA 5039  
AUSTRALIA  
Tel + 61 (0)8 8292 9777  
Email enquiry@norbar.com.au



**NORBAR TORQUE TOOLS INC**  
36400 Biltmore Place, Willoughby  
Ohio 44094  
USA  
Tel + 1 866 667 2272  
Email inquiry@norbar.us



**NORBAR TORQUE TOOLS PTE LTD**  
194 Pandan Loop, #07-20 Pantech Business Hub  
SINGAPORE 128383  
Tel + 65 6841 1371  
Email enquires@norbar.sg



**NORBAR TORQUE TOOLS (SHANGHAI) LTD**  
91 Building- 7F, No. 1122 North Qinzhou Road,  
Xuhui District, Shanghai  
CHINA 201103  
Tel + 86 21 6145 0368  
Email sales@norbar.com.cn



**NORBAR TORQUE TOOLS INDIA PVT. LTD**  
Plot No A – 168 Khairne Industrial Area  
Thane Belapur Road  
Mahape Navi Mumbai – 400 709  
INDIA  
Tel + 91 22 2778 8480  
Email enquiry@norbar.in

## NORBAR PRODUCT PORTFOLIO



Torque Screwdrivers



Torque Wrenches



Electronic Torque Wrenches



Manual Torque Multipliers



Pneumatic Torque Tools



Electronic Torque Tools



Torque Measurement Instruments



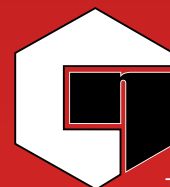
Torque Transducers



Ultrasonic Bolt Measurement



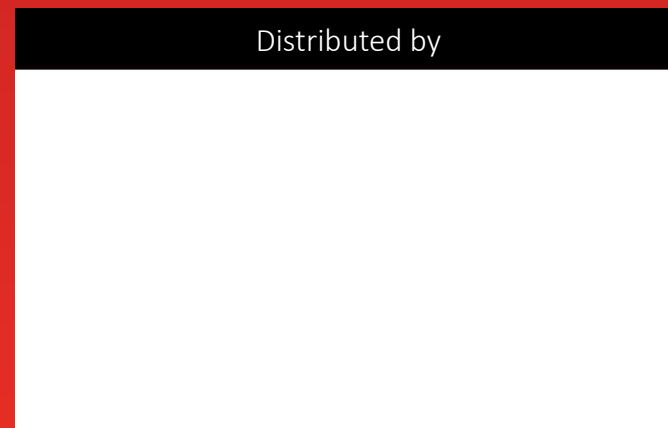
Calibration Services



### Let's Talk

The live chat feature can be found at the bottom right of any page on our website

Distributed by



# NEW GENERATION



## INDUSTRIAL TORQUE WRENCH

STILL ROBUST WITH UNMISTAKABLE TORQUE SIGNAL  
NOW SPLIT FOR EASE OF TRANSPORTATION AND STORAGE



www.norbar.com



The heavy road fleet industry and other heavy duty operators love the 'Industrial' wrench for its robustness and clear torque signal. This new generation retains these qualities but improves upon the original's scale for more accurate setting and can be split into two parts for easy and economic storage and shipping.



Push-through ratchet allows two direction torquing

Robust construction gives accurate results to  $\pm 4\%$  even in arduous working conditions. Tool is supplied with a Declaration of Conformance which meets the requirements of ISO 6789-1:2017

Can be split and packed in two parts for a smaller, easier to transport tool (as shown below)



Unique profiled cam and reaction plate - gives much clearer torque signal and the large break angle greatly reduces the possibility of over torquing

Designed to be cost effectively serviced

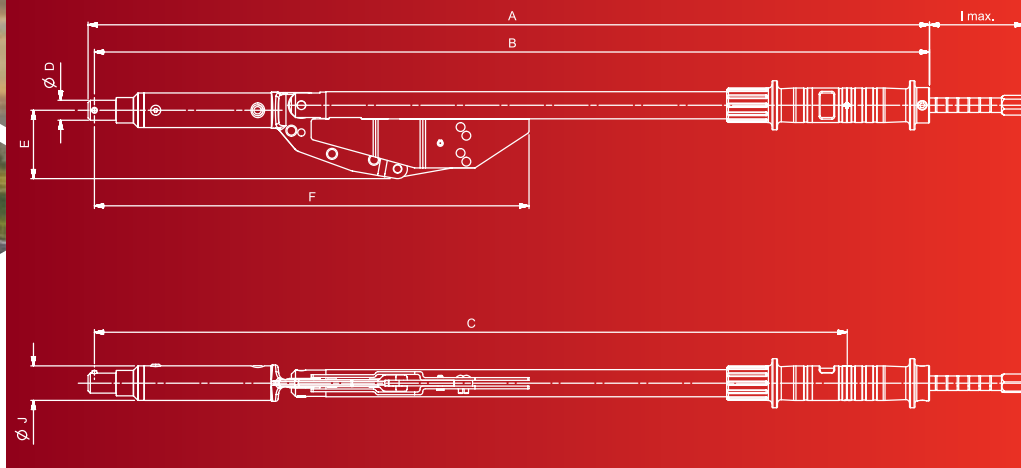
New handle - more comfortable and guides operator's hand to correct position

Easy to read scale is shielded from dust, dirt and spray

Easy to set accurately (Setting tool included)



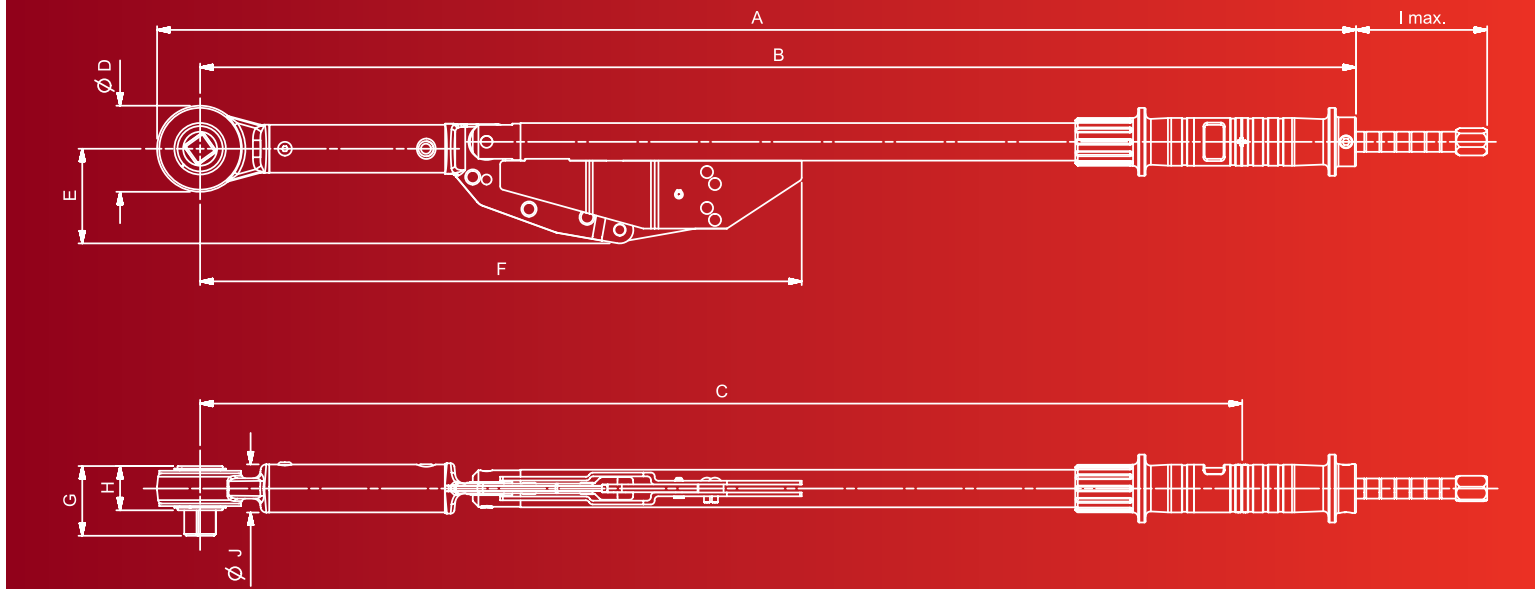
### TECHNICAL SPECIFICATION - 22 mm SPIGOT TORQUE HANDLE



MODEL		3AR-N	3AR-N 'P' Type
Part Number		120102 *120108	120105
Range	N·m	120 - 600	120 - 600
	lbf·ft	100 - 450	100 - 450
Tool Weight (kg)		5.95	5.3
Dimensions (mm)	A	927	927
	B	920	920
	C	829	829
	∅D	22	22
	E	75	75
	F	479	479
	I max.	105	18
	∅J	38	38

\*N·m only version

### TECHNICAL SPECIFICATION - INDUSTRIAL PUSH-THROUGH



MODEL	3AR-N	3AR-N 'P' Type	4AR-N	4AR-N 'P' Type	5R-N	5R-N 'P' Type	
Part Number & Square Drive	120101 - 3/4" 120101.01 - 1" *120107 - 3/4" *120107.01 - 1"	120104 - 3/4" 120104.01 - 1"	120110 - 3/4" 120110.01 - 1" *120114 - 3/4" *120114.01 - 1"	120111 - 3/4" 120111.01 - 1"	120115 - 3/4" 120115.01 - 1" *120117 - 3/4" *120117.01 - 1"	120116 - 3/4" 120116.01 - 1"	
Range	N·m	120 - 600	200 - 800	200 - 800	300 - 1,000	300 - 1,000	
	lbf·ft	100 - 450	150 - 600	150 - 600	200 - 750	200 - 750	
Tool Weight (kg)		5.95	6.65	6.65	7.35	7.35	
Dimensions (mm)	A	954	1,214	1,214	1,449	1,449	
	B	920	1,180	1,180	1,415	1,224	
	C	829	1,089	1,089	1,324	1,324	
	∅D	69	69	69	69	69	
	E	75	75	75	75	75	
	F	479	479	738	738	974	974
	G	3/4" = 55 / 1" = 63	3/4" = 55 / 1" = 63	3/4" = 55 / 1" = 63	3/4" = 55 / 1" = 63	3/4" = 55 / 1" = 63	3/4" = 55 / 1" = 63
	H	35	35	35	35	35	35
	I max.	105	18	105	18	105	18
		∅J	38	38	38	38	38

\*N·m only version